

NOTE: BILL OF MATERIALS IS ON PAGE 8

	NAME	DATE
DRAWN	KLD	8/13/23
CHECKED		
ENG APPR.		
MFG APPR.		
Q.A.		
COMMENTS:		

TBOX — U S A —		
TITLE: TBOX A ASSEMBLY DETAILS		
SIZE B	DWG. NO. TBOX A SHT 1	REV
SCALE: 1:5	WEIGHT:	SHEET 1 OF 8

PROPRIETARY AND CONFIDENTIAL
THE INFORMATION CONTAINED IN THIS DRAWING IS THE SOLE PROPERTY OF TBOX USA, LLC. ANY REPRODUCTION IN PART OR AS A WHOLE WITHOUT THE WRITTEN PERMISSION OF TBOX USA, LLC. IS PROHIBITED.

4

3

2

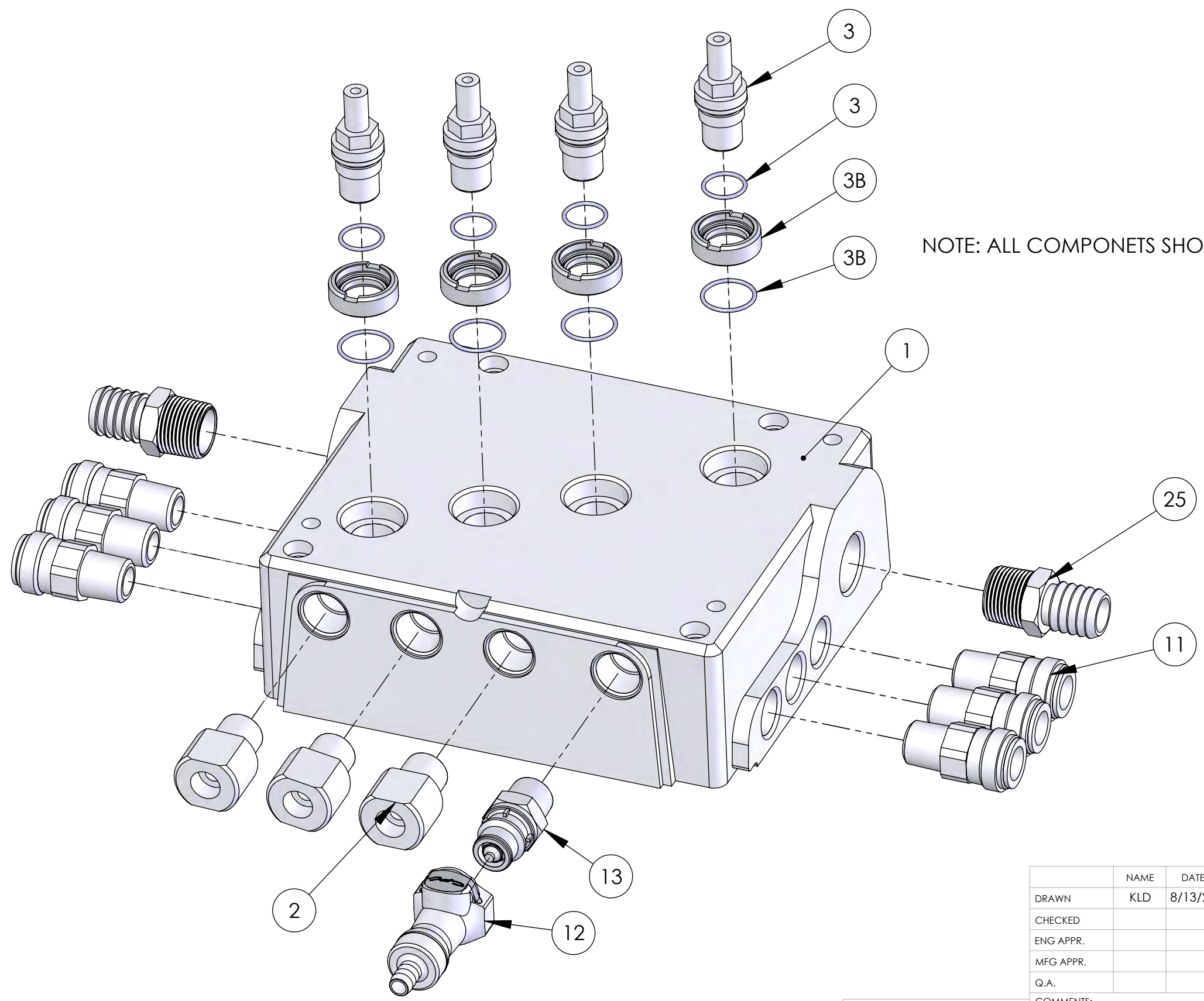
1

B

B

A

A



NOTE: ALL COMPONENTS SHOWN ARE PREASSEMBLED!

PROPRIETARY AND CONFIDENTIAL
 THE INFORMATION CONTAINED IN THIS DRAWING IS THE SOLE PROPERTY OF TBOX USA, LLC. ANY REPRODUCTION IN PART OR AS A WHOLE WITHOUT THE WRITTEN PERMISSION OF TBOX USA, LLC. IS PROHIBITED.

	NAME	DATE
DRAWN	KLD	8/13/23
CHECKED		
ENG APPR.		
MFG APPR.		
Q.A.		
COMMENTS:		



TITLE: TBOX A ASSEMBLY DETAILS

SIZE	DWG. NO.	TBOX A SHT 2	REV
B			
SCALE: 1:2	WEIGHT:	SHEET 2 OF 8	

4

3

2

1

4

3

2

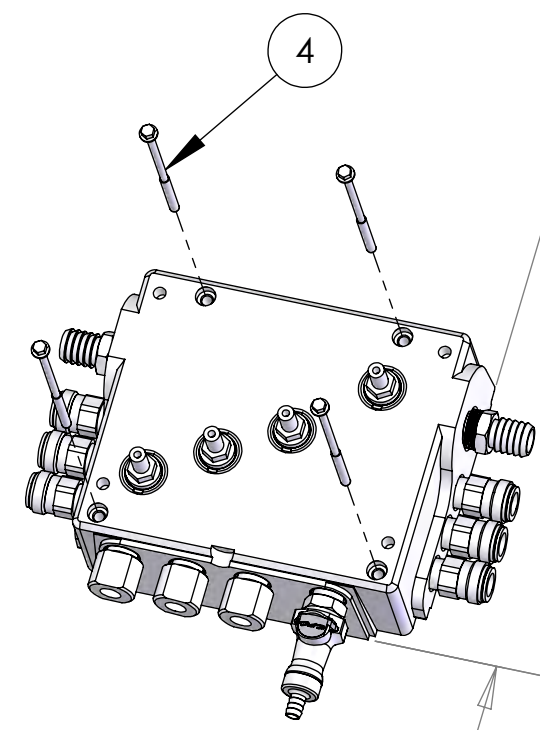
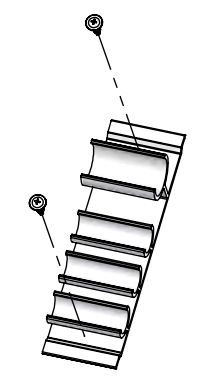
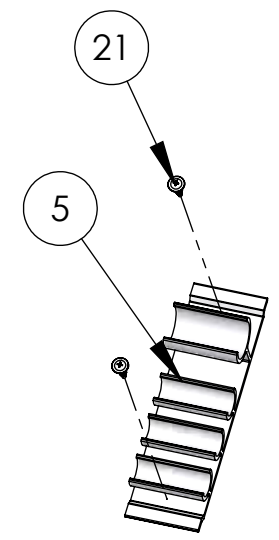
1

B

B

A

A



11" TYP

2" TYP

22

WALL SIDE

24B

22

15

15 5/8"

13/16" TYP

13/16"

DRAIN BOTTOM IS 19" ABOVE FLOOR
 DRAIN OUTLET C/L IS 20-1/2" ABOVE FLOOR

14


21

3

2

1

4

	NAME	DATE		
DRAWN	KLD	8/13/23		
CHECKED			TITLE: TBOX A ASSEMBLY DETAILS	
ENG APPR.				
MFG APPR.				
Q.A.				
COMMENTS:			SIZE B DWG. NO. TBOX A SHT 3 REV	
			SCALE: 1:5 WEIGHT: SHEET 3 OF 8	

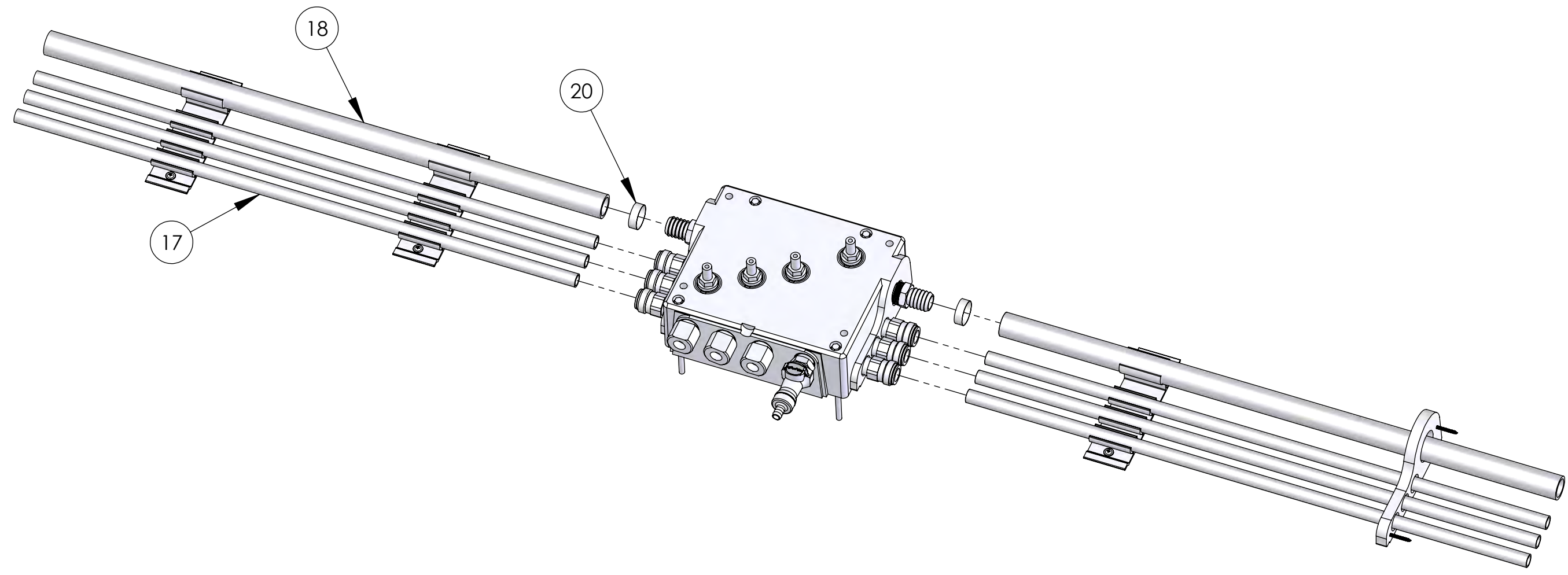
PROPRIETARY AND CONFIDENTIAL
 THE INFORMATION CONTAINED IN THIS
 DRAWING IS THE SOLE PROPERTY OF
 TBOX USA, LLC. ANY REPRODUCTION
 IN PART OR AS A WHOLE WITHOUT THE
 WRITTEN PERMISSION OF TBOX USA, LLC.
 IS PROHIBITED.

4

3

2

1



B

B

A

A

4

3

2

1

PROPRIETARY AND CONFIDENTIAL
 THE INFORMATION CONTAINED IN THIS DRAWING IS THE SOLE PROPERTY OF TBOX USA, LLC. ANY REPRODUCTION IN PART OR AS A WHOLE WITHOUT THE WRITTEN PERMISSION OF TBOX USA, LLC. IS PROHIBITED.

	NAME	DATE
DRAWN	KLD	8/13/23
CHECKED		
ENG APPR.		
MFG APPR.		
Q.A.		



TITLE: TBOX A ASSEMBLY DETAILS

SIZE	DWG. NO.	REV
B	TBOX A SHT 4	

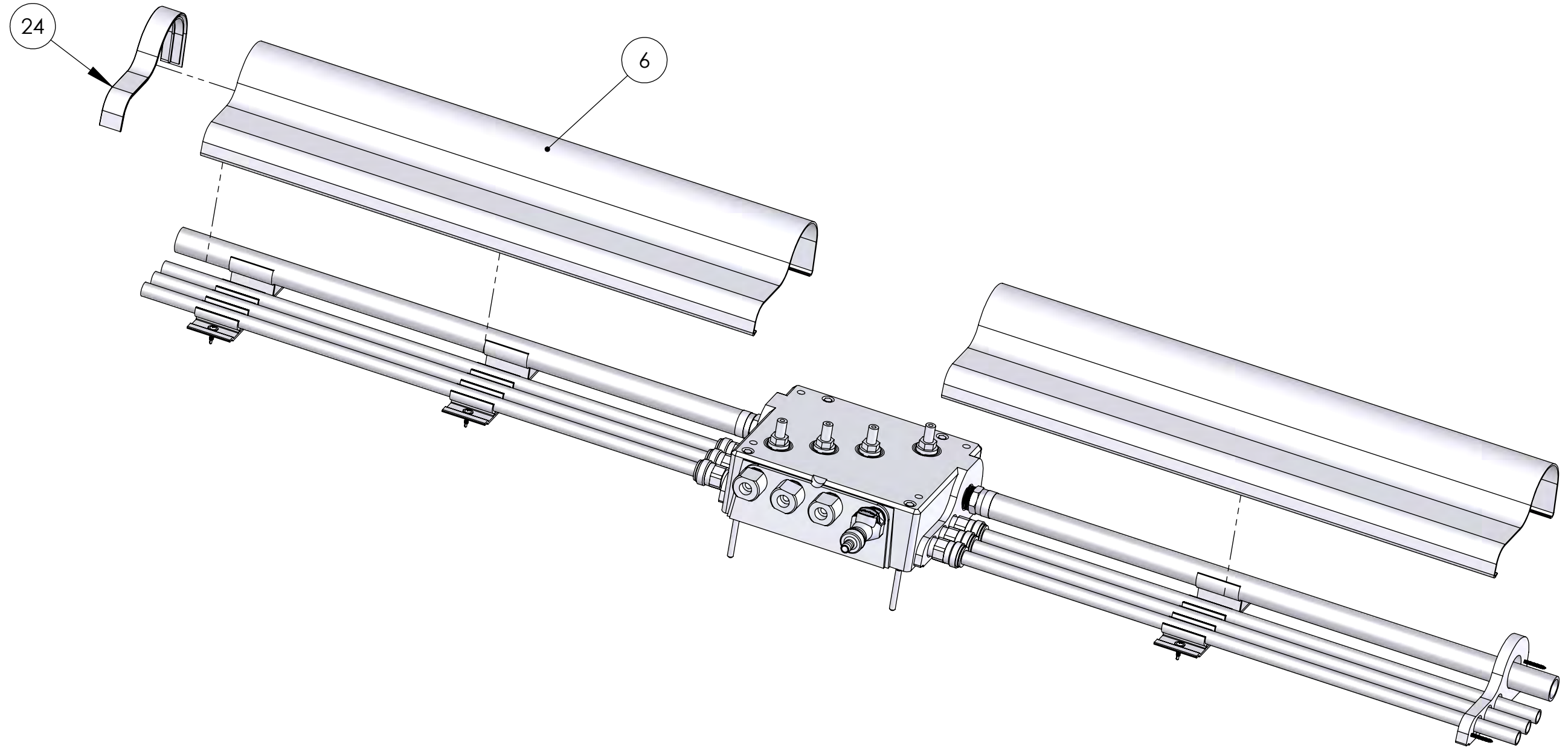
SCALE: 1:5 WEIGHT: SHEET 4 OF 8

4

3

2

1



B

B

A

A

4

3

2

1

PROPRIETARY AND CONFIDENTIAL
 THE INFORMATION CONTAINED IN THIS DRAWING IS THE SOLE PROPERTY OF TBOX USA, LLC. ANY REPRODUCTION IN PART OR AS A WHOLE WITHOUT THE WRITTEN PERMISSION OF TBOX USA, LLC. IS PROHIBITED.

	NAME	DATE
DRAWN	KLD	8/13/23
CHECKED		
ENG APPR.		
MFG APPR.		
Q.A.		



TITLE: TBBOX A ASSEMBLY DETAILS

SIZE	DWG. NO.	TBOX A SHT 5	REV
B			

SCALE: 1:5 WEIGHT: SHEET 5 OF 8

4

3

2

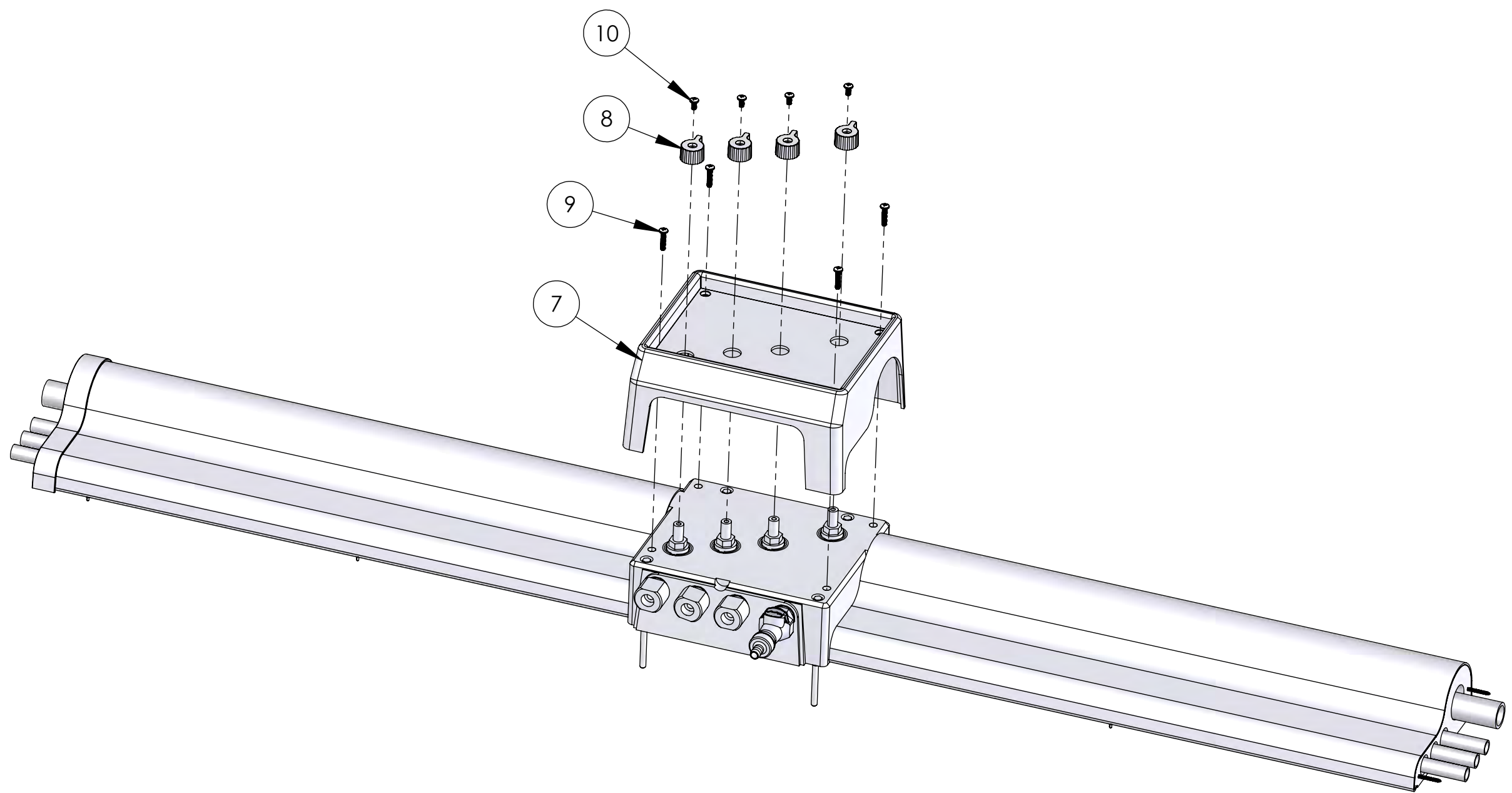
1

B

B

A

A



PROPRIETARY AND CONFIDENTIAL
 THE INFORMATION CONTAINED IN THIS DRAWING IS THE SOLE PROPERTY OF TBOX USA, LLC. ANY REPRODUCTION IN PART OR AS A WHOLE WITHOUT THE WRITTEN PERMISSION OF TBOX USA, LLC. IS PROHIBITED.

	NAME	DATE
DRAWN	KLD	8/13/23
CHECKED		
ENG APPR.		
MFG APPR.		
Q.A.		



TITLE: TBOX A ASSEMBLY DETAILS

SIZE	DWG. NO.	TBOX A SHT 6	REV
B			
SCALE: 1:5	WEIGHT:	SHEET 6 OF 8	

4

3

2

1

4

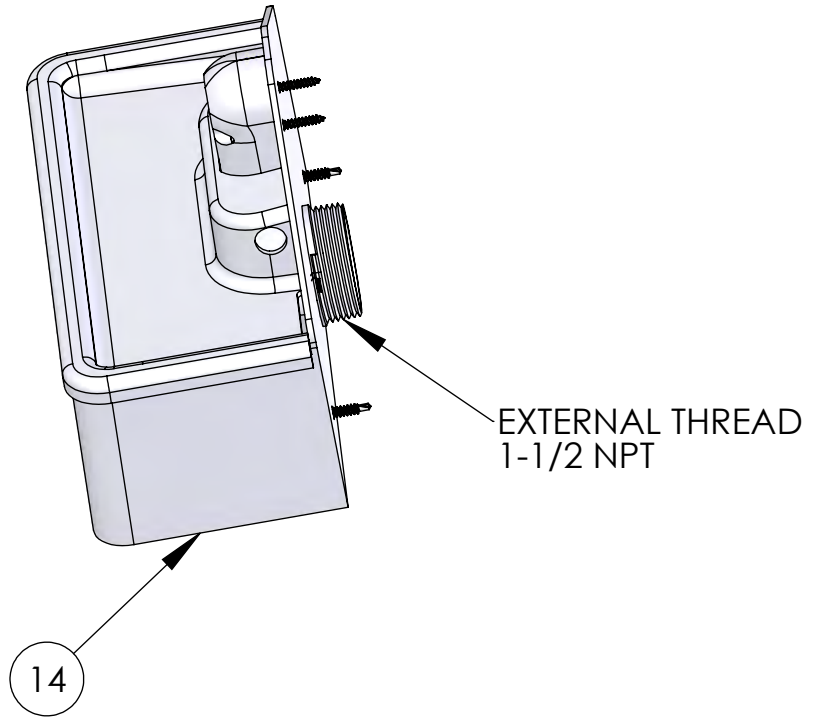
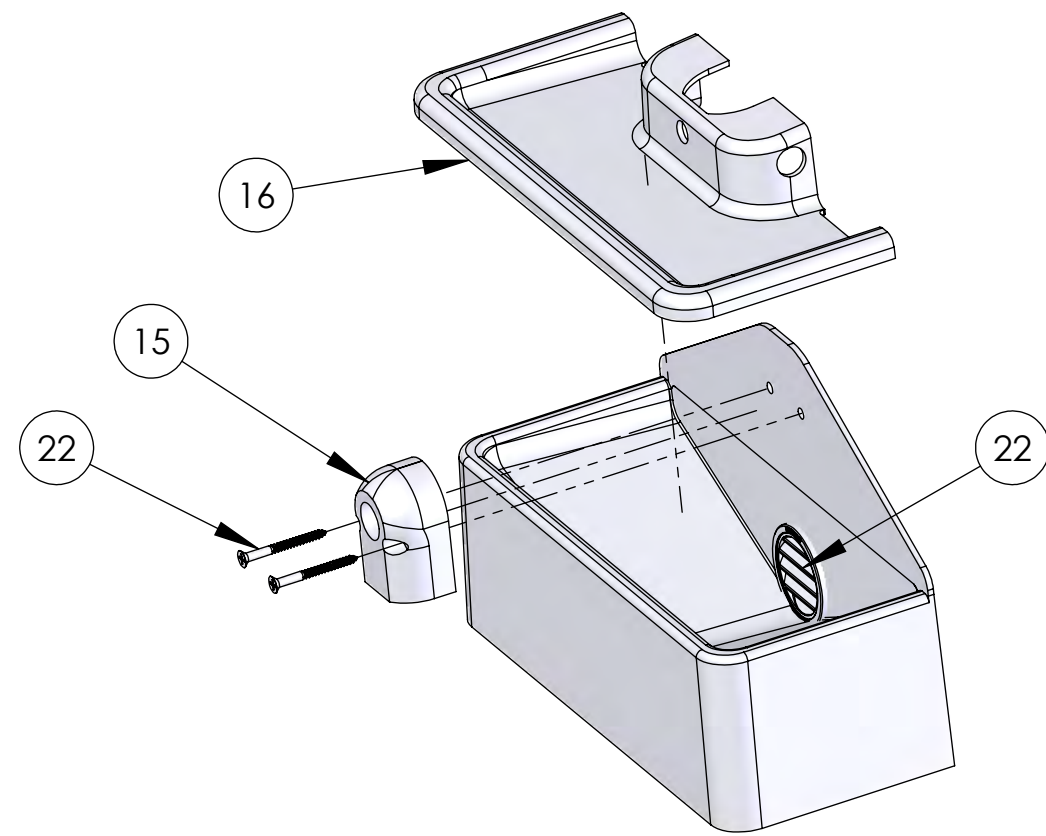
3

2

1

B

B



A

A

4

3

2

1

PROPRIETARY AND CONFIDENTIAL
 THE INFORMATION CONTAINED IN THIS DRAWING IS THE SOLE PROPERTY OF TBOX USA, LLC. ANY REPRODUCTION IN PART OR AS A WHOLE WITHOUT THE WRITTEN PERMISSION OF TBOX USA, LLC. IS PROHIBITED.

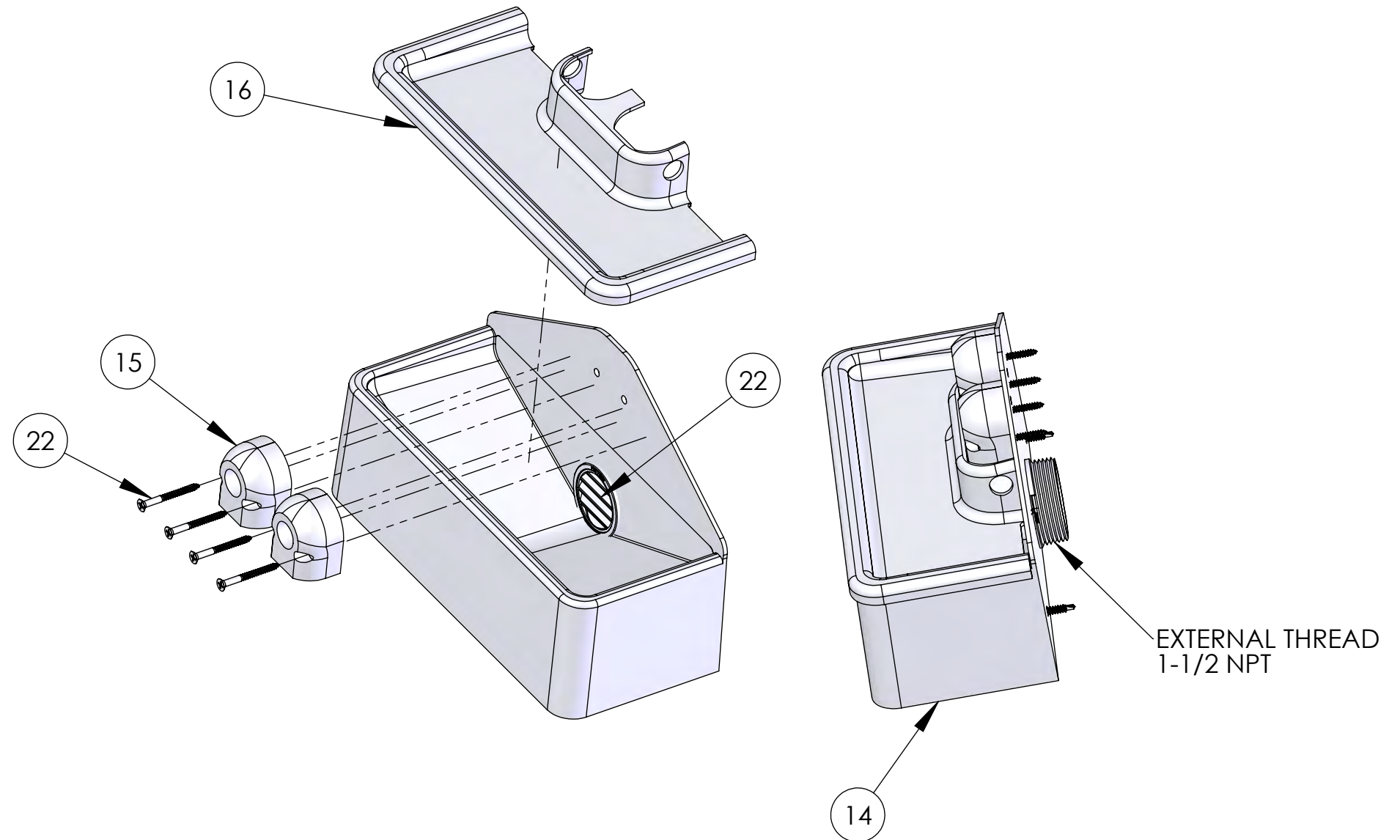
	NAME	DATE
DRAWN	KLD	8/13/23
CHECKED		
ENG APPR.		
MFG APPR.		
Q.A.		
COMMENTS:		




TITLE: TBOX SINGLE DRAIN AIR GAP ASSEMBLY DETAILS

SIZE	DWG. NO.	REV
B	TBOX SINGLE SHT 7	
SCALE: 1:3	WEIGHT:	SHEET 7 OF 8

BOM#	BOM LISTING	X	ITEM NUMBER	ITEM DESCRIPTION
1	T BOX VERSION			
			00052	T Box Manifold Version A
			0005212	T Box Manifold Version B
			0005213	T Box Manifold Version C Domestic H2O
2	ADAPTER-REDUCER BUSHING			
			00001	Adapter-Reducer Bushing Acid Red
			00002	Adapter-Reducer Bushing Acid Yellow
			00003	Adapter-Reducer Bushing BiCarb Blue
3	STEM VALVE SS		000471	Stem Valve SS-NEW
3B	STEM VALVE INSERT SS		000472	Stem Valve Insert SS
4	SCREW WOOD #12 5-5/8"		00041	Screw Wood #12 5-5/8"
5	BRACKET		00004	Bracket 2.0
6	BUMPER RAIL			
			00008	Bumper Rail Grey 12 ft
			00009	Bumper Rail Grey 9ft
			00010	Bumper Railing Beige 12ft
			00011	Bumper Railing Beige 9ft
			00012	Bumper Railing Brown 12ft
			00013	Bumper Railing Brown 9ft.
7	SHROUD COVER			
			00043	Shroud Cover K-Beige
			00044	Shroud Cover K-Brown
			00045	Shroud Cover K-Grey
8	HANDLE			
			00031	Handle Blue
			00032	Handle Red
			00033	Handle White
			00034	Handle Yellow
9	SCREW SS 10-32-X 1"		00039	Screw SS 10-32x1"
10	SCREW SS 10-32-X .5" PAN HEAD		00040	Screw SS 10-32x1/2"
11	FITTING BARB POLY 5/8 X 1.2"		00024	Fitting Barb Poly 5/8' x 1/2"NPT Yellow
12	FITTING RO COUPLING BODY		00029	Fitting RO Adaptor Snap-on Coupling Body HFCD17635 NSF 3/8 HB VLV IL
13	FITTING RO COUPLING INSERT		00030	Fitting RO Coupling Insert- HFCD 24835 NSF 1/2 NPT Valve
14	DRAIN with 1-1/2" MNPT			
			00016	Drain Box Beige
			00017	Drain Box Brown
			00018	Drain Box Grey
15	DRAIN AIR GAP		00015	Drain Air Gap Assembly
16	DRAIN LID			
			00022	Drain Splash Double
			00023	Drain Splash Single
17	PIPE FOR SOLUTIONS			
			00053	Tubing PE Tubing 5/8 Blue for Bicarb
			00054	Tubing PE Tubing 5/8 Red Acid
			00055	Tubing PE Tubing 5/8" Yellow Acid
18	PIPE FOR RO			
			00056	Tubing PEX Tubing 1"
			000561	Tubing PFA 5/8" x 3/4"
19	CLAMP PINCH STAINLESS		000622	Clamp #6 Worm Drive
20	CRIMP RING PEX TUBE ID .875		00028	Fitting PEX Exp Collar Ring 1"
21	SCREW SHARP POINT 8 X 1.0"		00401	Screw Philips Pan Head Sharp Point
22	SCREW SS#6 X 1-12"		00046	SS Screw #6x1-1/2" SS
23	PLUG DRAIN LOUVERED		00061	Vented Plug
24	BUMPER JOINT MERGER			
			000050	Bumper Joint Merger Beige
			00006	Bumper Joint Merger Brown
			00007	Bumper Joint Merger Grey
25	RO FITTING 3/4" NPT TO:			
			00025	Fitting PEX 1" SS Barb x 3/4" MNPT
			00026	Fitting PEX 25MM SS Barb x 3/4"MNPT
			00027	Fitting PEX 3/4" SS Barb x 3/4" MNPT fitting
			000271	Fitting PFA Male Union Adpt 3/4" x
26	O RING N70031 WALL DIA-.70		000360	O- Ring 1.5 for Drain
27	VIVONICS FITTING FOR FLYLOOP		00000V	Vivonics Fitting for Fly Loop
28	VIVONICS FLYLOOP ASSEMBLY		00000V	Vivonics Fly Loop Assembly



NAME	DATE	
DRAWN	KLD 8/13/23	
CHECKED		
ENG APPR.		
MFG APPR.		
TITLE:		TBOX DOUBLE DRAIN AIR GAP ASSEMBLY DETAILS
Q.A.		
COMMENTS:		
SIZE	DWG. NO.	REV
B	TBOX DOUBLE SHT 8	
SCALE: 1:3	WEIGHT:	SHEET 8 OF 8

PROPRIETARY AND CONFIDENTIAL
 THE INFORMATION CONTAINED IN THIS DRAWING IS THE SOLE PROPERTY OF TBOX USA, LLC. ANY REPRODUCTION IN PART OR AS A WHOLE WITHOUT THE WRITTEN PERMISSION OF TBOX USA, LLC. IS PROHIBITED.